

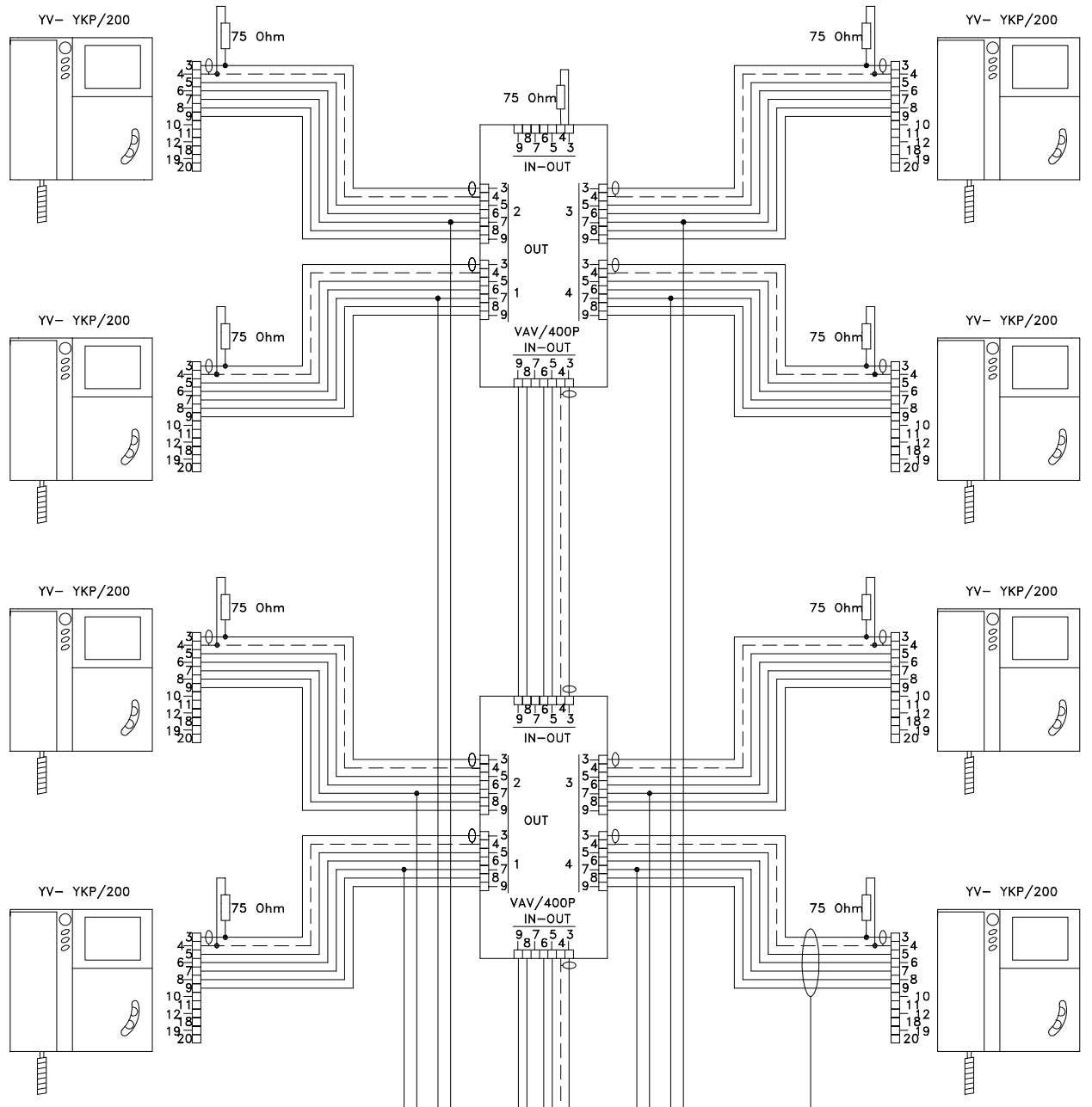
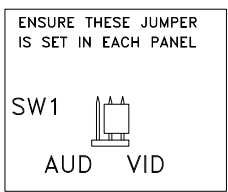
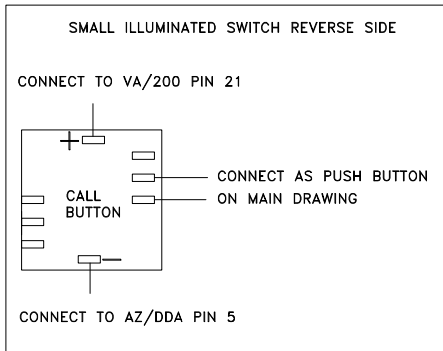
NOTE:  
THIS DRAWING INDICATES AND ASSUMES THE USE OF  
BPT COMPOSITE CABLES OR A SUITABLE EQUIVALENT.

ENSURE ALL ADDITIONAL CONNECTIONS ARE  
A MINIMUM OF 0.5MM CSA PER CORE.

NOTE: CABLE EQUIVALENTS

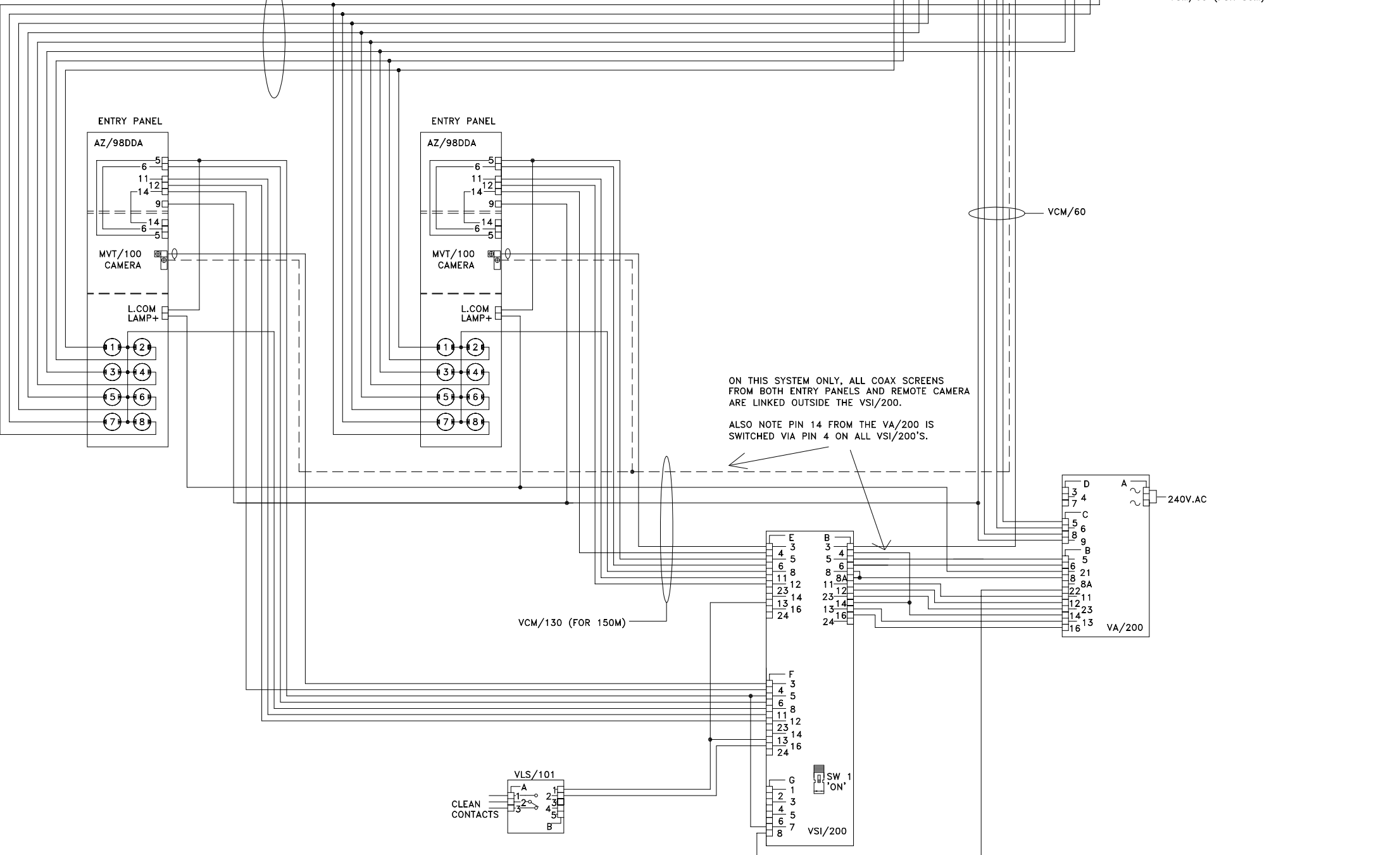
VCM/130 = RG59 COAX + 4 CORES @ 1.0MMSQ + 8 CORES @ 0.5MMSQ

VCM/60 = RG59 COAX + 2 CORES @ 1.0MMSQ + 3 CORES @ 0.5MMSQ



1 CORE @ 0.5MMSQ PER  
CALL BUTTON ON PANEL.

VCM/60 (FOR 50M)



BPT (UK) LTD. HERTS. ENGLAND	PREPARED FOR INSTALLER INFORMATION	DATE: 20/02/07	DRAWN:RC
		REVISED:	
DRAWING TITLE:	MULTI-FLAT INSTALLATION USING 1 DUAL HEIGHT B/W DDA VIDEO ENTRY PANEL	DRAWING No: B-8V2Y8CDDA	