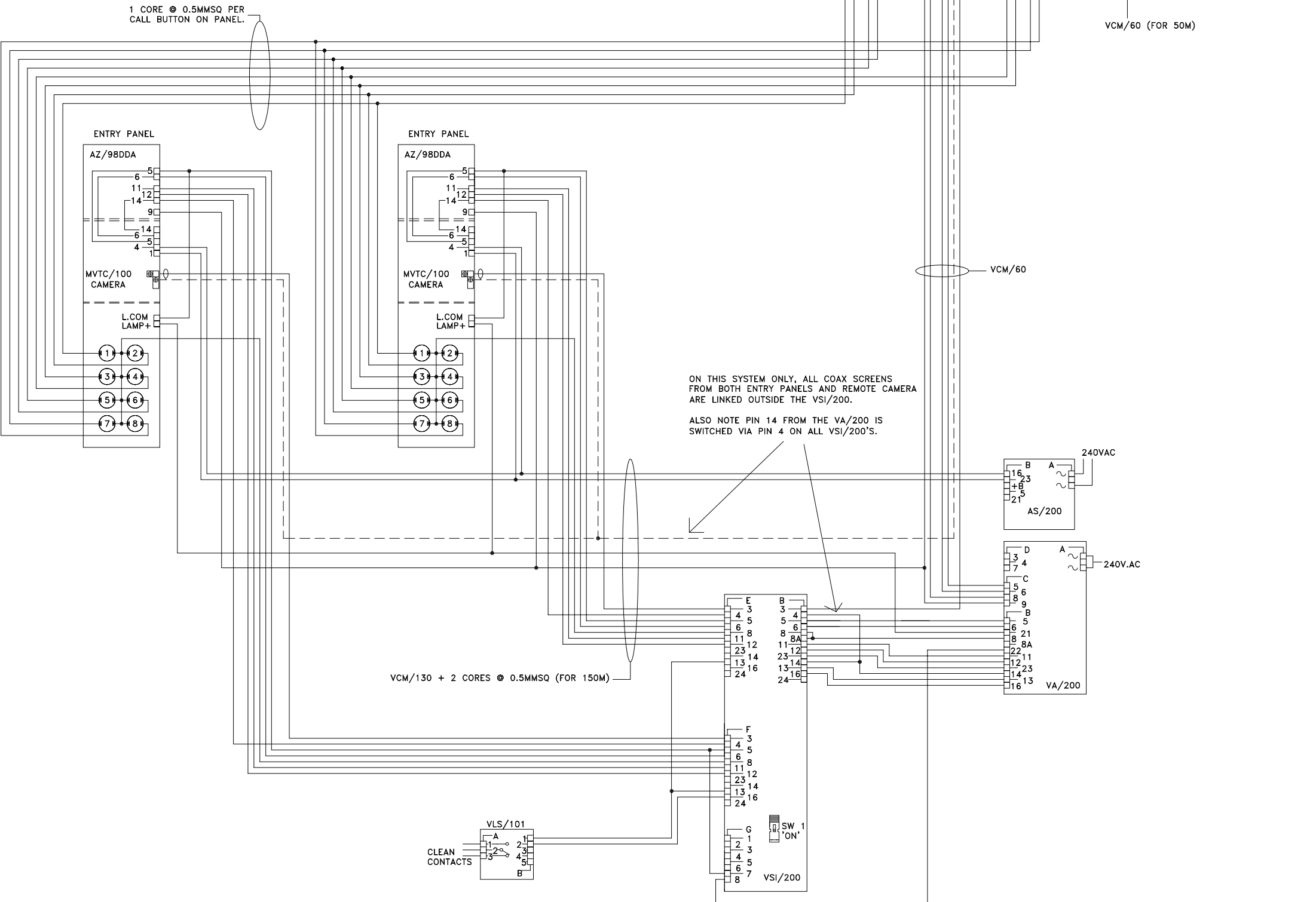
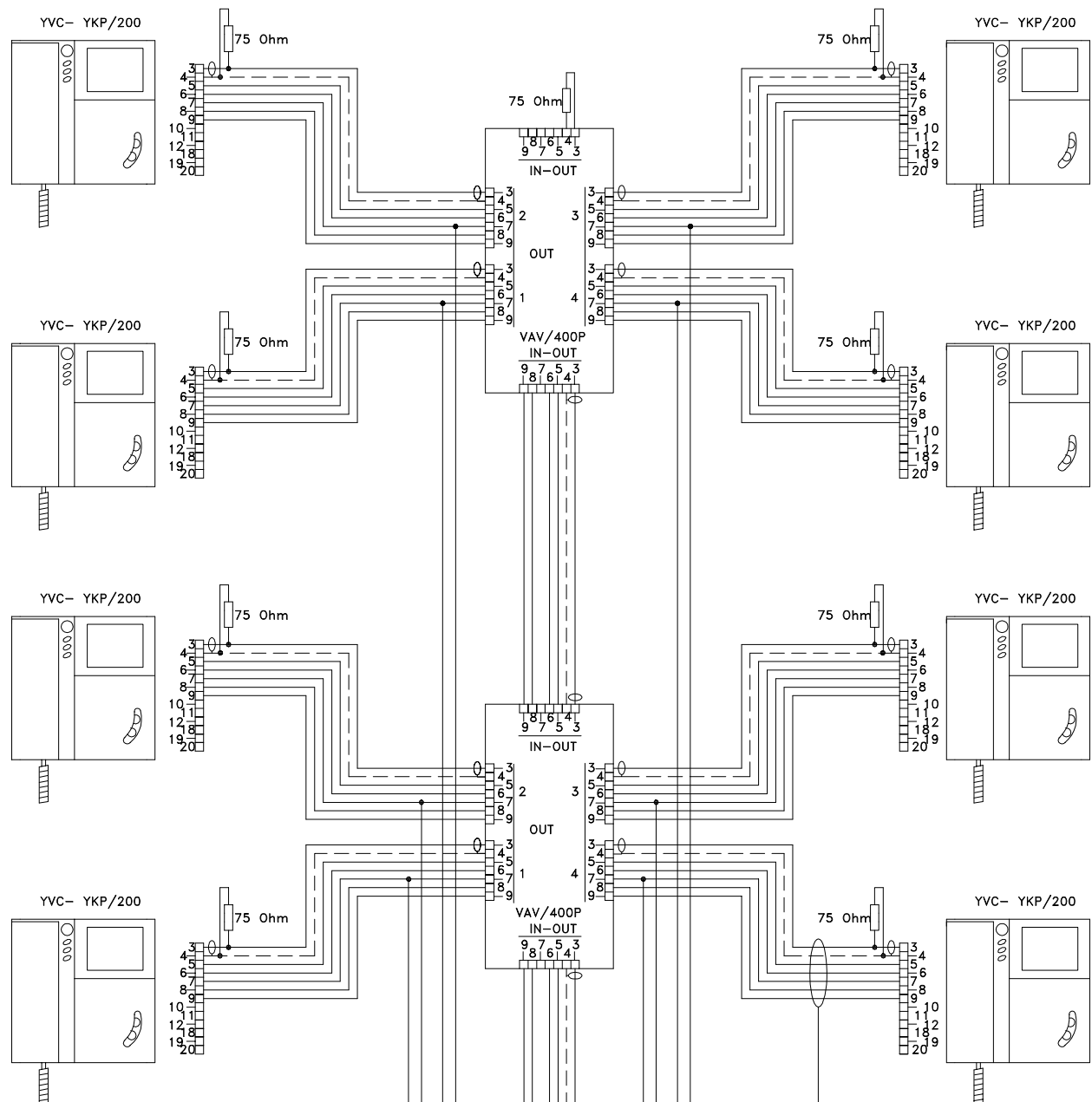
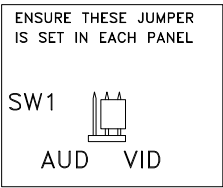
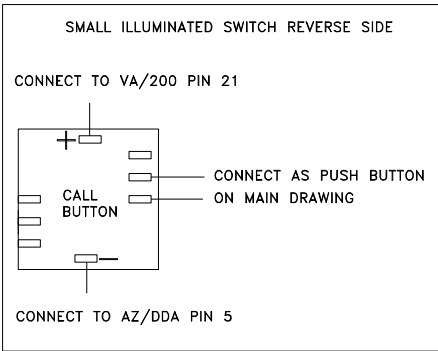


NOTE:
THIS DRAWING INDICATES AND ASSUMES THE USE OF
BPT COMPOSITE CABLES OR A SUITABLE EQUIVALENT.
ENSURE ALL ADDITIONAL CONNECTIONS ARE
A MINIMUM OF 0.5MM CSA PER CORE.

NOTE: CABLE EQUIVALENTS

VCM/130 = RG59 COAX + 4 CORES @ 1.0MMSQ + 8 CORES @ 0.5MMSQ
VCM/60 = RG59 COAX + 2 CORES @ 1.0MMSQ + 3 CORES @ 0.5MMSQ



BPT (UK) LTD. HERTS. ENGLAND	PREPARED FOR INSTALLER INFORMATION	DATE: 04/04/07	DRAWN:RC
DRAWING TITLE: MULTI-FLAT INSTALLATION USING 1 DUAL HEIGHT COLOUR DDA VIDEO ENTRY PANEL		REVISED:	DRAWING No: B-8V2Y8CDDA(A)