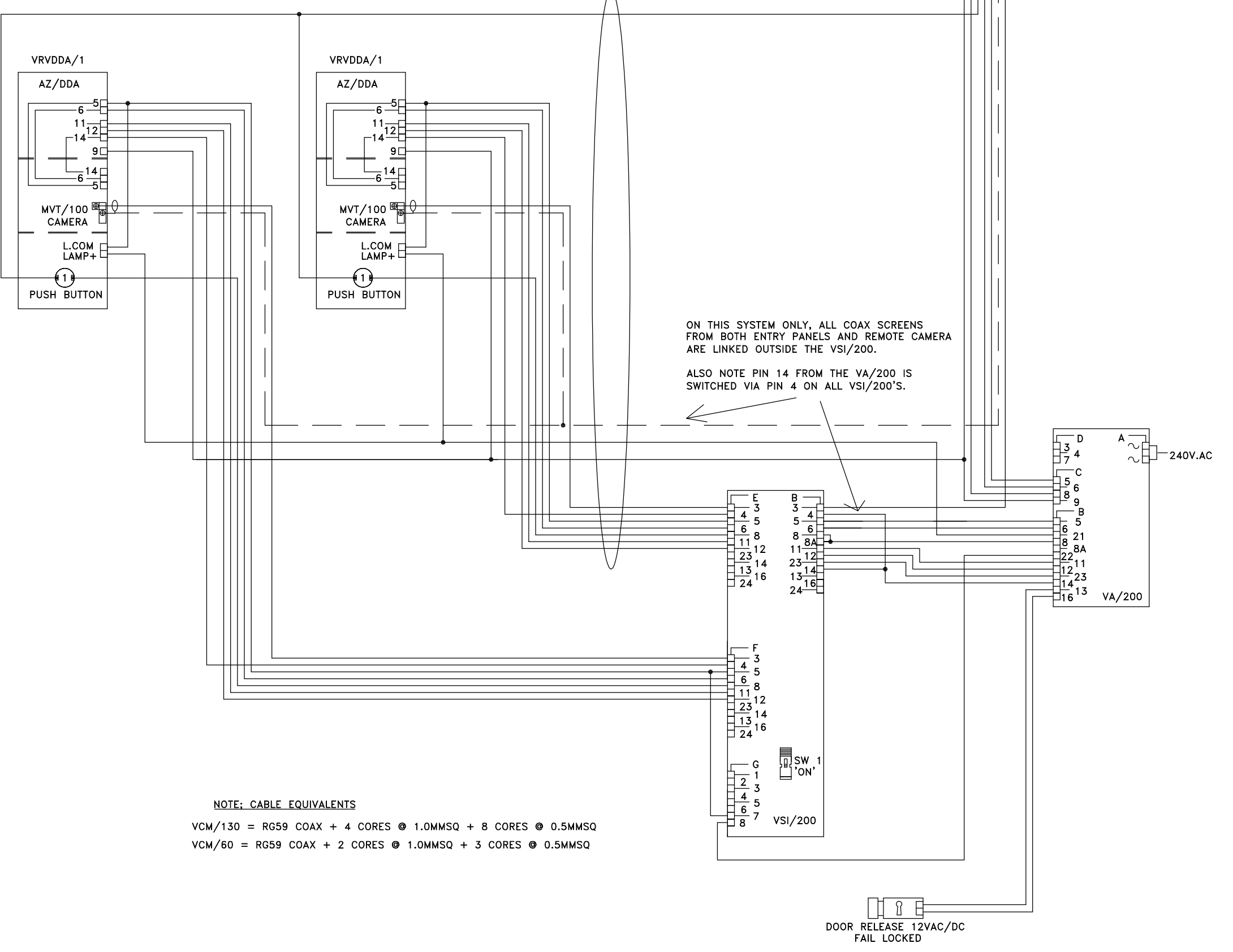
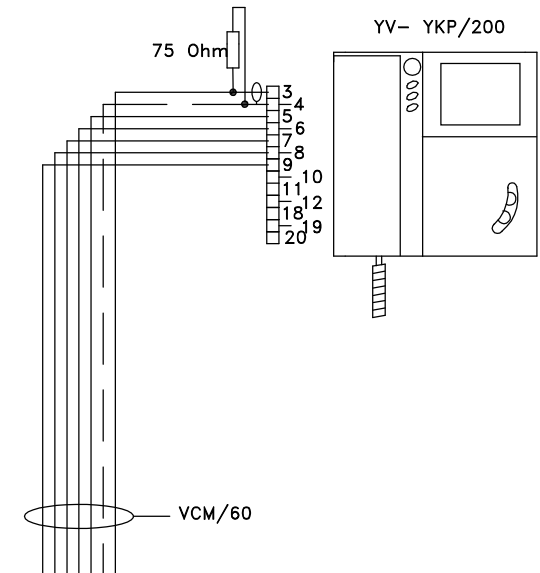
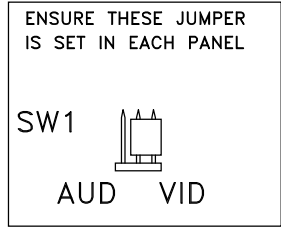


NOTE:  
 THIS DRAWING INDICATES AND ASSUMES THE USE OF  
 BPT COMPOSITE CABLES OR A SUITABLE EQUIVALENT.

ENSURE ALL ADDITIONAL CONNECTIONS ARE  
 A MINIMUM OF 0.5MM CSA PER CORE.



NOTE: CABLE EQUIVALENTS  
 VCM/130 = RG59 COAX + 4 CORES @ 1.0MMSQ + 8 CORES @ 0.5MMSQ  
 VCM/60 = RG59 COAX + 2 CORES @ 1.0MMSQ + 3 CORES @ 0.5MMSQ

BPT (UK) LTD. HERTS. ENGLAND	PREPARED FOR INSTALLER INFORMATION	DATE: 22/02/05	DRAWN: RC
		REVISED:	
DRAWING TITLE:	DUAL HEIGHT DDA 1 BUTTON VIDEO ENTRY PANEL WITH 1 LYNEA MONITOR	DRAWING No: B-1V2Y1L(DDA)(C)	